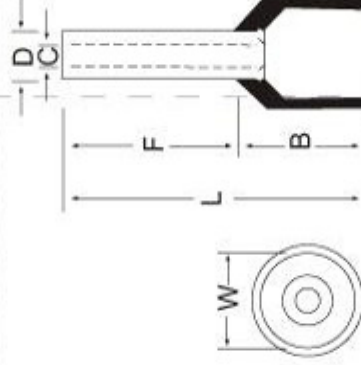



## PIPE TYPE BEFOREHAND INSULATING TERMINAL



**Pipe type beforehand insulating terminal Maximum compression resistance: 105°C 300 VOLTS MAX.**  
**The material of the terminal: tinning red copper pipe Insulating bushing: nylon**

Electrical wire scope	Type	Diameter						Colour	The tool mode for impression and connection
		F	L	W	B	D	C		
		mm	mm	mm	mm	mm	mm		
22 A.W.G. 0.5mm <sup>2</sup>	E0505	5.0	11.0						CEF-04WF Using the 0.5-caliber tongs
	E0506	6.0	12.0					White Orange	
	E0508	8.0	14.0	2.6	6.0	1.3	1.0		
	E0510	10.0	16.0						
	E0512	12.0	18.0						
	E0518	18.0	24.3						
20 A.W.G. 0.75mm <sup>2</sup>	E7506	6.0	12.3	2.8	6.3				Blue White
	E7508	8.0	14.3			1.5	1.2		
	E7510	10.0	16.3						
	E7512	12.0	18.3	2.8	6.3				
	E7518	18.0	24.3						
	E1006	6.0	12.3	3.0	6.3				
18 A.W.G. 1.0mm <sup>2</sup>	E1008	8.0	14.3					Red Yellow	CEF-04WF Using the 1.0-caliber tongs
	E1010	10.0	16.3	3.0	6.3	1.7	1.4		
	E1012	12.0	18.3						
	E1018	18.0	24.3	3.0	6.3				
	E1508	8.0	14.3	3.5	6.3				
	E1510	10.0	16.3			2.0	1.7		
16 A.W.G. 1.5mm <sup>2</sup>	E1512	12.0	18.3	3.5	6.3			Black Red	CEF-04WF Using the 1.5-caliber tongs
	E1515	15.0	21.3						
	E1518	18.0	24.3						
	E2508	8.0	15.4						
	E2510	10.0	17.4						
	E2512	12.0	19.4	4.0	7.4	2.6	2.3		
14 A.W.G. 2.5mm <sup>2</sup>	E2518	18.0	25.4					Gray Blue	CEF-04WF Using the 2.5-caliber tongs
	E2525	25.0	32.4						
	E4009	9.0	16.4						
	E4010	10.0	17.4						
	E4012	12.0	19.4	4.5	7.4	3.2	2.8		
	E4018	18.0	25.4						
12 A.W.G. 4.0mm <sup>2</sup>								Orange Gray	CEF-04WF Using the 4.0-caliber tongs

### CRIMPING TOOLS

CATNO.	Product Photo	WIRE RANGE FOR CRIMPING
ID-06WF		0.25mm <sup>2</sup> -6mm <sup>2</sup>

### WELL CONTACTS CO

# 56, Pushpak Cascade Swathi Road, Shantinagar, Bengaluru -560 027.  
 Tel-080 22226675, 22206675, 41169654 FAX-080 22226675  
 Email: wcblore\_2007@yahoo.com, wellcontacts@yahoo.com