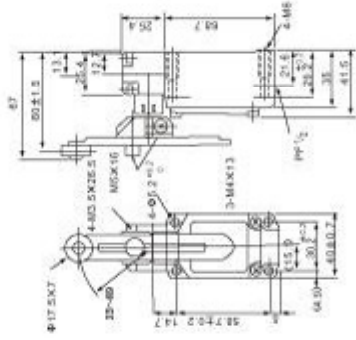
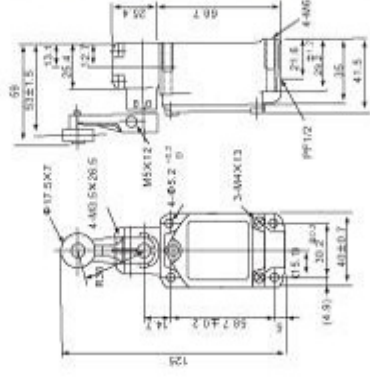


External appearance size

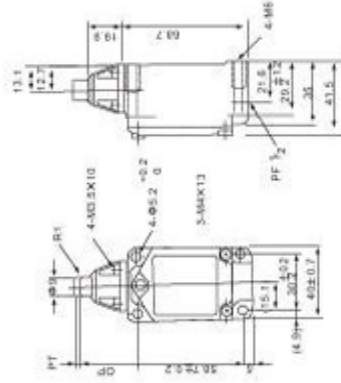
IDLCA2-2



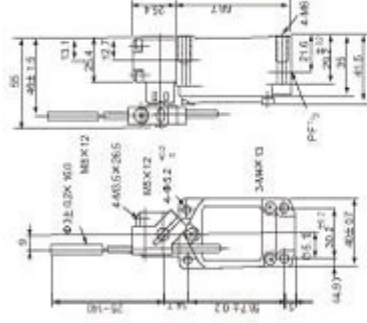
IDLCA12-2-Q



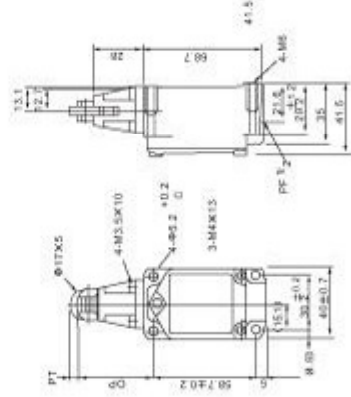
IDL D



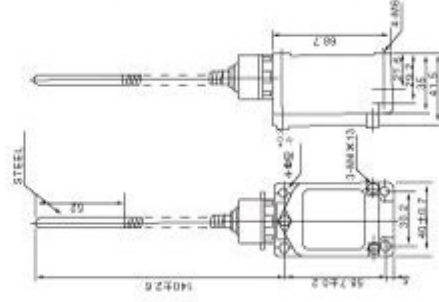
IDLCL



IDL D2



IDLNJ-30



WELL CONTACTS CO

# 56, Pushpak Cascade™ Swathi Road, Shanthinagar, Bengaluru -560 077.

Tel-080 22226675, 22206675, 41169654 FAX-080 22226675

Email: wcblore\_2007@yahoo.com, wellcontacts@yahoo.com