



ID CROSS-SWITCH



USAGE OF CROSS-SWITCH:

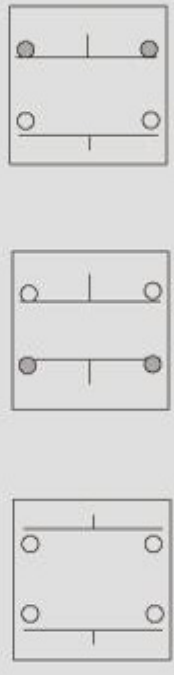
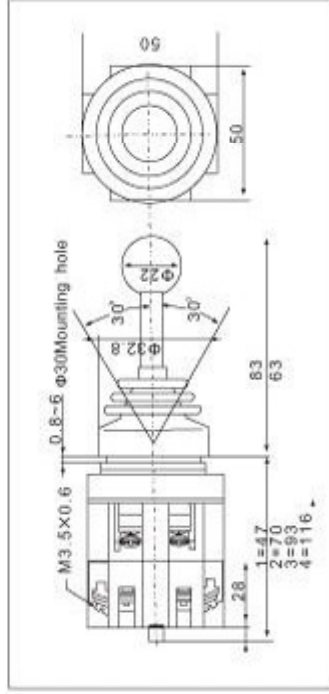
The cross-switch is such that can operate at four directions. With the declination of operating handle the contact will resultantly make or break. The use of it can minimize the possibility of misoperation. It widely serves at kinds of industrial mechanical equipment for frequent making or breaking of circuit-breaker.

The modular contact structure can increase or reduce the contact. Installation diameter $\phi 22$, $\phi 30$
Basic contact mode is 1a.

ELECTRIC CHARACTERISTICS

AC	Rated voltage	150V	250V	600V
	Rated current	5A	3A	1A
	Breaking current	Multiples 10 of Rated current		
AC	Rated voltage	125V		250V
	Rated current	2.2A		1.1A
	Breaking current	Multiples 1.1 of Rated current		
Insulation Resist				
Operating frequency over-voltage				
Resist				
Mechanical life				
Used for ambient temperature				
$\geq 100M$				
AC2500V/1min				
$\leq 30m$				
Mechanical life over 50,000 times, electrical life over 10,000 times				
-20--+50				

ID CROSS-SWITCH EXTERNAL & MOUNTING DIMENSION CONTACT BLOCK CONTACT TYPE



A type: MO-10a B type: MO-20b C type: MO-30

When Longhandle type two products, mounting hole center distance > 110mm juxtaposition mounting
When Short handle type two products, mounting hole center distance > 70mm juxtaposition mounting

WELL CONTACTS CO

56, "Pushpak Cascade" Swathi Road, Shantinagar, Bengaluru - 560 027.
Tel-080 22226675, 22206675, 41169654 FAX-080 22226675
Email: wcblore_2007@yahoo.com, wellcontacts@yahoo.com